

BRASS BALL VALVE HEAVY MODEL (521-523-527-537-538-548-576)



Size : DN 1/8" to 4"
Ends : Male, Female BSP
Min Temperature : - 10°C
Max Temperature : + 120°C
Max Pressure : 40 Bars (up to DN 1")
Specifications : Anti blow out stem (from DN1/2" to DN2")
Packing PTFE + EPDM O ring
Full bore

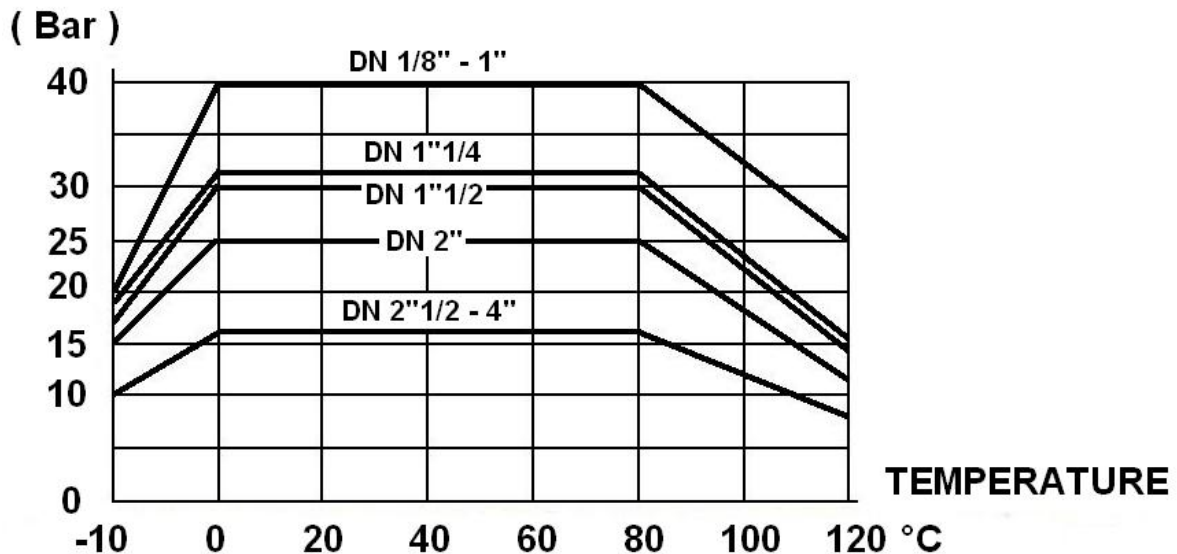
Materials : Brass CW 617N

BRASS BALL VALVE HEAVY MODEL (521-523-527-537-538-548-576)
SPECIFICATIONS :

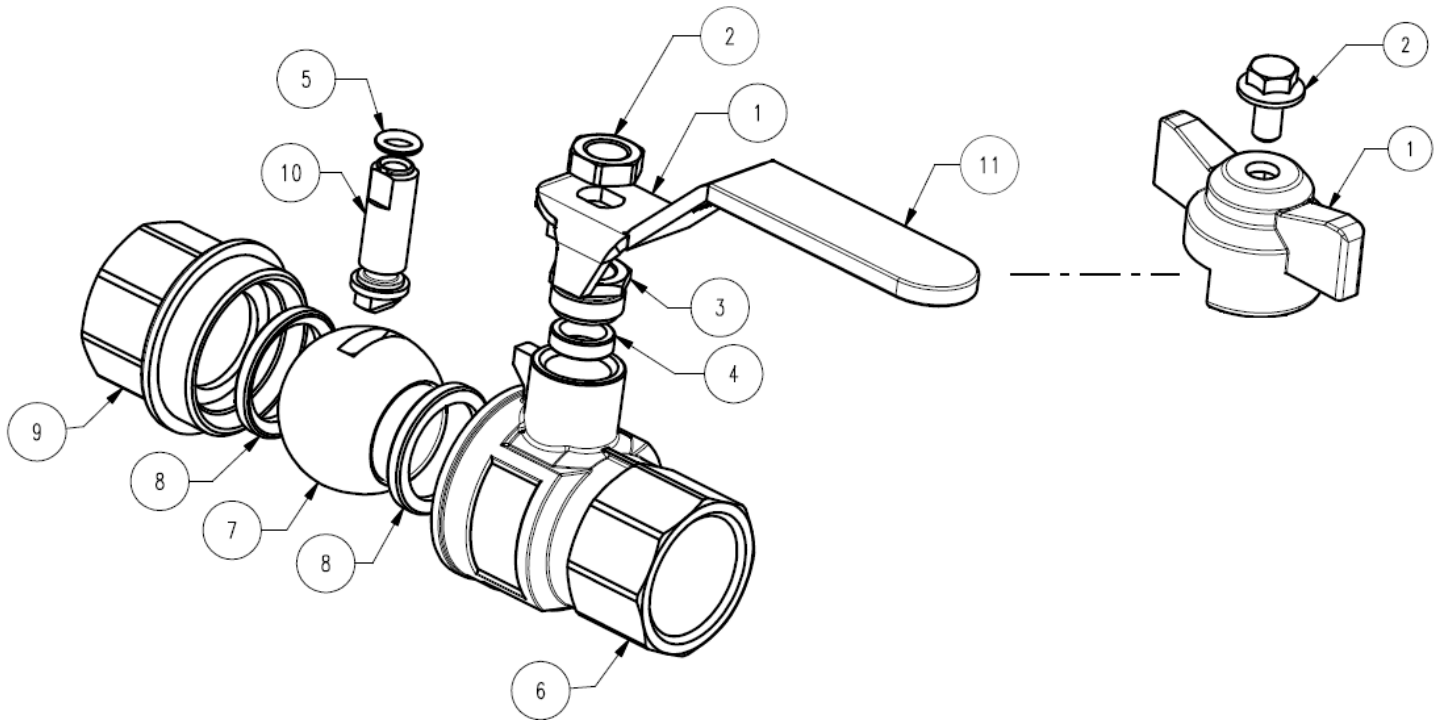
- Heavy model
- Long threaded ends
- Full bore
- Anti blow out stem from DN1/2" to DN2"
- Solid ball
- Packing PTFE + EPDM O ring
- Red flat steel handle or red butterfly aluminium handle for BSP threaded types
- Black flat steel handle or black butterfly aluminium handle for NPT threaded types

USE :

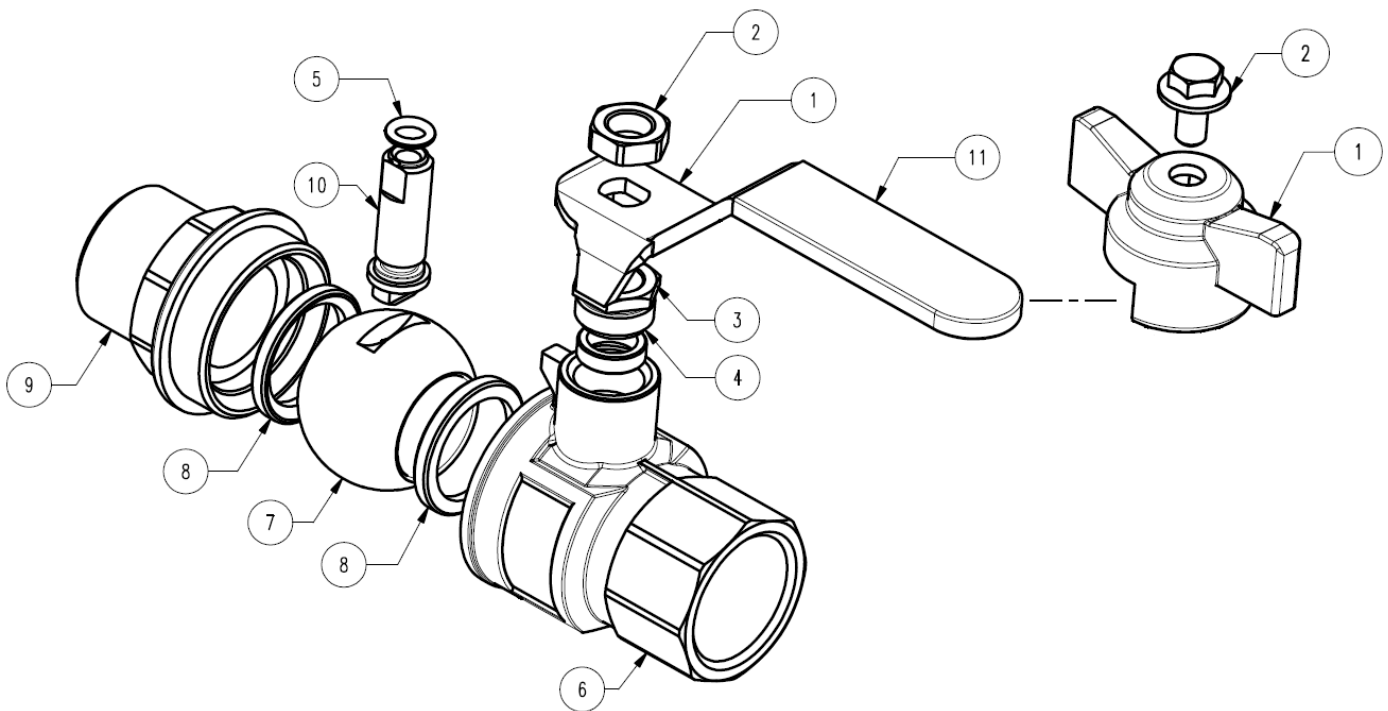
- For all common fluids
- Min Temperature Ts : - 10 °C
- Max Temperature Ts : + 120°C
- Max Pressure Ps : 40 bars up to DN 1", 32 bars for DN 1"1/4, 30 bars for DN 1"1/2, 25 bars for DN 2" and 16 bars over (see graph)

PRESSURE / TEMPERATURE GRAPH (STEAM EXCLUDED) :

RANGE :

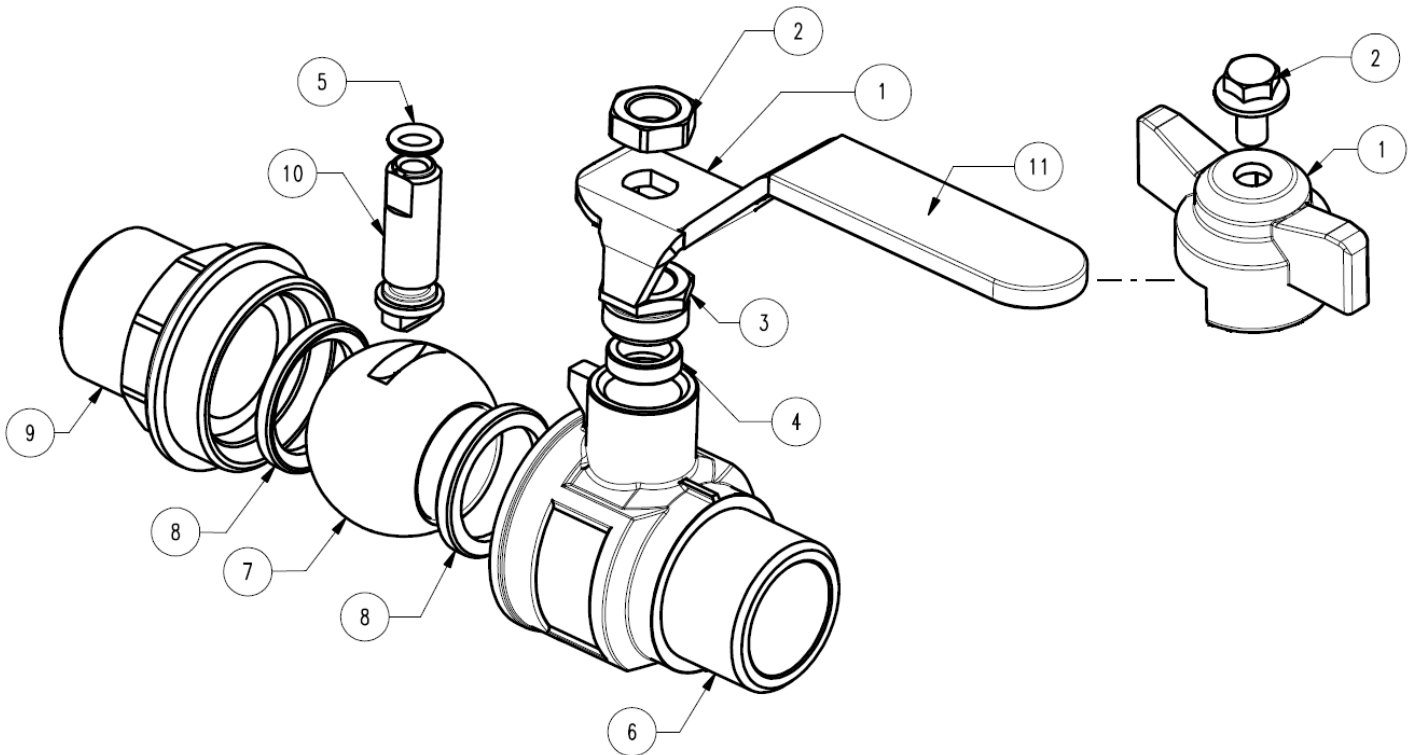
- Female / Female threaded NPT with black flat steel handle **Ref. 52100** from DN 1/4" to 1"
- Female / Female threaded NPT with black aluminium butterfly handle **Ref. 52101** from DN 1/4" to 1"
- Female / Female threaded BSP with red flat steel handle **Ref. 576** from DN 1/8" to 4"
- Female / Female threaded BSP with red aluminium butterfly handle **Ref. 523** from DN 1/4" to 1"
- Male / Female BSP with red flat steel handle **Ref. 527** from DN 1/4" to 2"
- Male / Female BSP with red aluminium butterfly handle **Ref. 537** from DN 1/4" to 1"
- Male / Male BSP with red flat steel handle **Ref. 538** from DN 3/8" to 1"
- Male / Male BSP with red aluminium butterfly handle **Ref. 548** from DN 3/8" to 1"

BRASS BALL VALVE HEAVY MODEL (521-523-527-537-538-548-576)
MATERIALS FEMALE – FEMALE TYPES :


Item	Designation	Materials 52100-576	Materials 52101-523
1	Handle	Galvanized steel	Aluminium
2	Nut / Screw	Steel	
3	Packing nut	Brass CW 614 N according to EN 12164	
4	Packing	PTFE	
5	O ring	EPDM	
6	Body	Brass CW 617 N according to EN 12165 nickeled	
7	Ball	Brass CW 617 N according to EN 12165 chromed	
8	Seat	PTFE	
9	Bonnet	Brass CW 617 N according to EN 12165 nickeled	
10	Stem	Brass CW 614 N according to EN 12164	
11	Handle cover	Plastic	-

BRASS BALL VALVE HEAVY MODEL (521-523-527-537-538-548-576)
MATERIALS MALE – FEMALE TYPES :


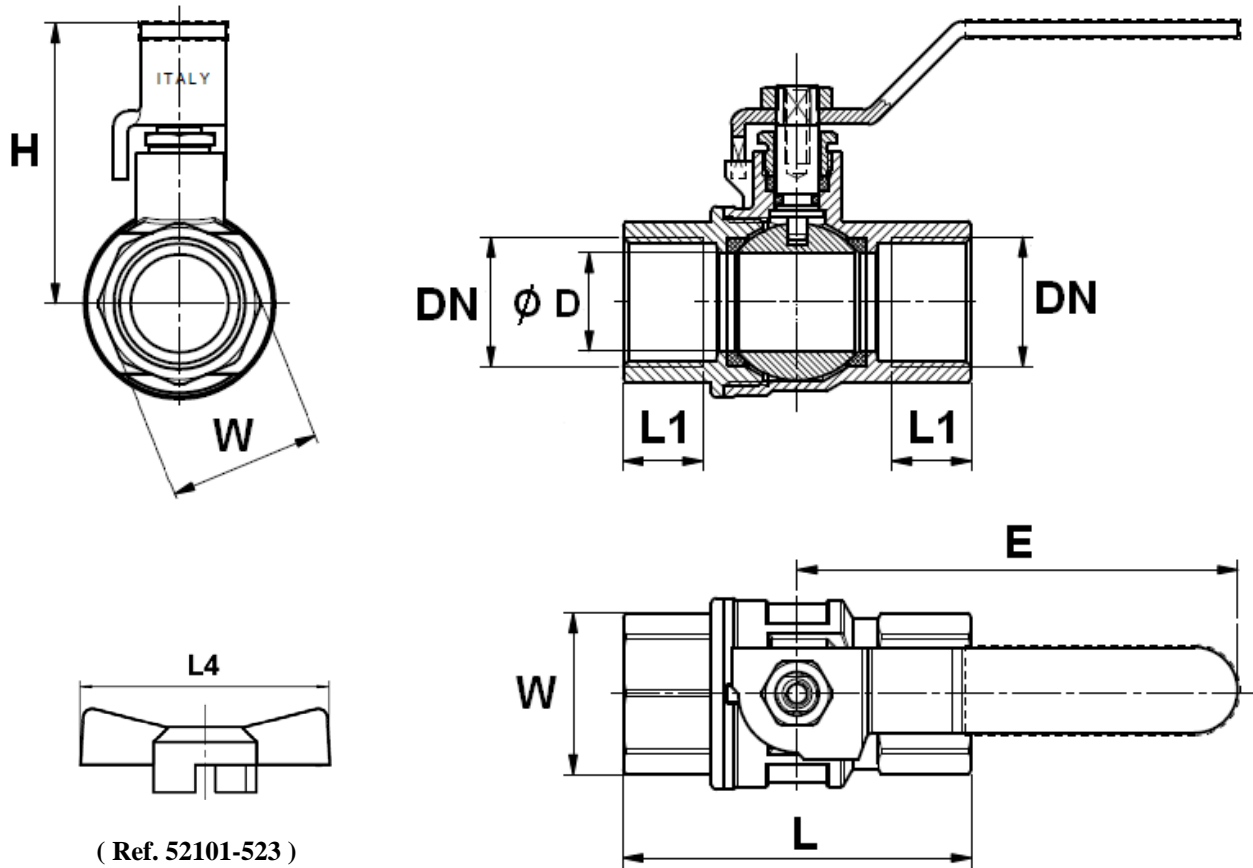
Item	Designation	Materials 527	Materials 537
1	Handle	Galvanized steel	Aluminium
2	Nut / Screw	Steel	
3	Packing nut	Brass CW 614 N according to EN 12164	
4	Packing	PTFE	
5	O ring	EPDM	
6	Body	Brass CW 617 N according to EN 12165 nickeled	
7	Ball	Brass CW 617 N according to EN 12165 chromed	
8	Seat	PTFE	
9	Bonnet	Brass CW 617 N according to EN 12165 nickeled	
10	Stem	Brass CW 614 N according to EN 12164	
11	Handle cover	Plastic	-

BRASS BALL VALVE HEAVY MODEL (521-523-527-537-538-548-576)
MATERIALS MALE – MALE TYPES :


Item	Designation	Materials 538	Materials 548
1	Handle	Galvanized steel	Aluminium
2	Nut / Screw	Steel	
3	Packing nut	Brass CW 614 N according to EN 12164	
4	Packing	PTFE	
5	O ring	EPDM	
6	Body	Brass CW 617 N according to EN 12165 nickeled	
7	Ball	Brass CW 617 N according to EN 12165 chromed	
8	Seat	PTFE	
9	Bonnet	Brass CW 617 N according to EN 12165 nickeled	
10	Stem	Brass CW 614 N according to EN 12164	
11	Handle cover	Plastic	-

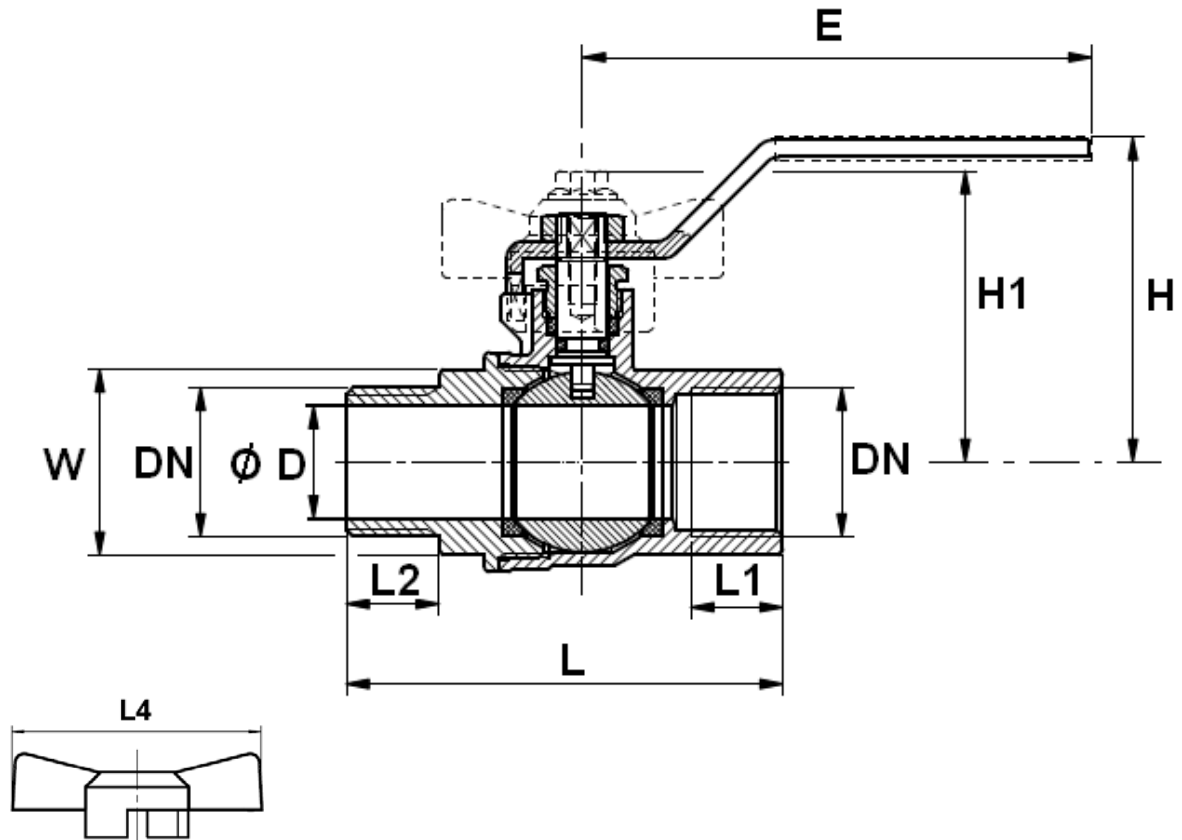
BRASS BALL VALVE HEAVY MODEL (521-523-527-537-538-548-576)

SIZE FEMELLE / FEMELLE TYPES (in mm) :



(Ref. 52101-523)

Ref.	DN	1/8"	1/4"	3/8"	1/2"	3/4"	1"	1"1/4	1"1/2	2"	2"1/2	3"	4"
521	Ø D	9	10	10	15	20	25	32	40	49	60	74	94
	L	37.7	46.5	46.5	62	71	81.5	92	102	126	138	161.5	181
	L1	10	10	10	15	16.3	19.1	21.4	21.4	26	26	27	28
523	L4	-	50	50	50	50	65	-	-	-	-	-	-
	E	60	80	80	90	90	130	130	150	150	203	280	280
576	H	35	40.5	40.5	53.5	57.5	66.5	72	83.5	90	116	132	150
	W on flat	20	21	21	26	31	38	48	55	68	85	98	123
52100-576	Weight (Kg)	0.110	0.141	0.125	0.260	0.340	0.609	0.878	1.337	1.99	3.09	4.81	7.96
52101-523	Weight (Kg)	-	0.125	0.109	0.229	0.310	0.536	-	-	-	-	-	-

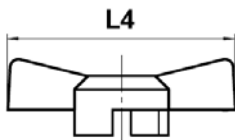
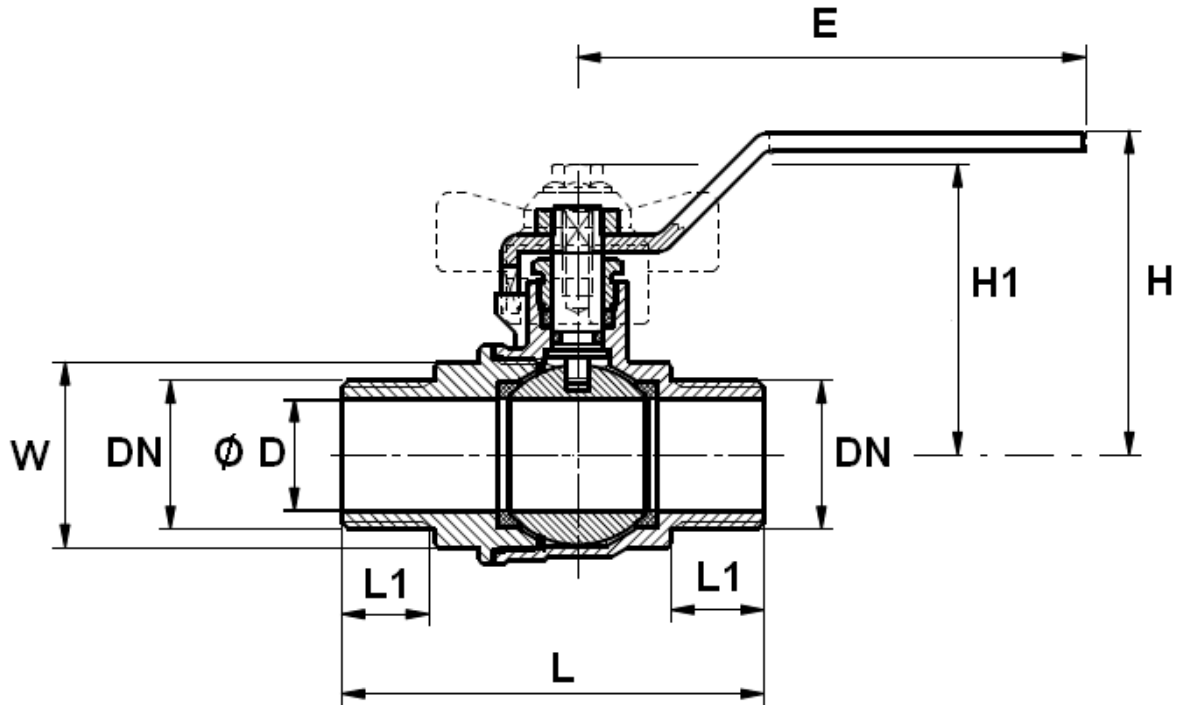
BRASS BALL VALVE HEAVY MODEL (521-523-527-537-538-548-576)
SIZE MALE / FEMELLE TYPES (in mm) :


(Ref. 537)

Ref.	DN	1/4"	3/8"	1/2"	3/4"	1"	1"1/4"	1"1/2"	2"
527	Ø D	10	10	15	20	25	32	40	49
	L	52.5	52.5	67.5	77.5	87.5	101.5	110.5	134
	L1	10	10	15	16.3	19.1	21.4	21.4	26
	L2	11.5	11.5	15	16.5	19.5	21.5	21.5	26.5
	L4	50	50	50	50	65	-	-	-
537	E	80	80	90	90	130	130	150	150
	H	40.5	40.5	53.5	57.5	66.5	72	83.5	90
	H1	37.5	37.5	48	52	62.5	-	-	-
	W on flat	21	21	26	31	38	48	55	68
527	Weight (Kg)	0.14	0.14	0.27	0.36	0.62	0.94	1.37	2.02
537	Weight (Kg)	0.10	0.12	0.24	0.33	0.56	-	-	-

BRASS BALL VALVE HEAVY MODEL (521-523-527-537-538-548-576)

SIZE MALE / MALE TYPES (in mm) :



(Ref. 548)

Ref.	DN	3/8"	1/2"	3/4"	1"
538	Ø D	10	15	20	25
	L	51.5	65.5	75.5	85.5
	L1	11.5	15	16.5	19.5
	L4	50	50	50	65
	E	80	90	90	130
548	H	40.5	53.5	57.5	66.5
	H1	37.5	48	52	62.5
	W on flat	21	26	31	38
538	Weight (Kg)	0.13	0.25	0.34	0.61
548	Weight (Kg)	0.11	0.22	0.31	0.54

BRASS BALL VALVE HEAVY MODEL (521-523-527-537-538-548-576)

STANDARDS :

- Fabrication according to ISO 9001 : 2008
- DIRECTIVE 2014/68/EU : Products excluded from directive up to DN1" (Article 4, § 3)
Risk category I module A from DN1"1/4 to DN2"
- Threaded male and female BSP cylindrical ends according to ISO 228-1
- Threaded female NPT ends according to ANSI B1.20.1

ADVICE : Our opinion and our advice are not guaranteed and SFERACO shall not be liable for the consequences of damages.
The customer must check the right choice of the products with the real service conditions.

BRASS BALL VALVE HEAVY MODEL (521-523-527-537-538-548-576)**INSTALLATION INSTRUCTIONS****GENERAL GUIDELINES :**

- Ensure that the valves to be used are appropriate for the conditions of the installation (type of fluid, pressure and temperature).
- Be sure to have enough valves to be able to isolate the sections of piping as well as the appropriate equipment for maintenance and repair.
- Ensure that the valves to be installed are of correct strength to be able to support the capacity of their usage.
- **Installation of all circuits should ensure that their function can be automatically tested on a regular basis (at least two times a year).**

INSTALLATION INSTRUCTIONS :

- **Before installing the valves, clean and remove any objects from the pipes** (in particular bits of sealing and metal) which could obstruct and block the valves.
- **Ensure that both connecting pipes either side of the valve (upstream and downstream) are aligned (if they're not, the valves may not work correctly).**
- **Make sure that the two sections of the pipe (upstream and downstream) match, the valve unit will not absorb any gaps. Any distortions in the pipes may affect the tightness of the connection, the working of the valve and can even cause a rupture.** To be sure, place the kit in position to ensure the assembling will work.
- Before starting the fitting, ensure that the threads and tapping are clean.
- **If sections of piping do not have their final support in place, they should be temporarily fixed. This is to avoid unnecessary strain on the valve.**
- The theoretical lengths given by ISO/R7 for the tapping are typically longer than required, the length of the thread should be limited, and **check that the end of the tube does not press right up to the head of the thread.**
- For the sealing assembly valve piping, it is essential to use products that are compatible with the requirements of the French water agreement ACS : **plumbers hemp proscribed.**
- Position the pipe clips on both sides of the valve.
- If mounting on an air conditioning with PER tubing and hoses, it is necessary to support the tubes and hoses with the fixing to avoid strain on the valve.
- When screwing the valve, ensure that you only rotate on screwed side by the 6 ended side. Use an open ended spanner or an adjustable spanner and not a monkey wrench.
- **Never use a vice to tighten the fixings of the valve.**
- Do not over tighten the valve. Do not block with any extensions as it may cause a rupture or weakening of the casing.
- **In general, for all valves used in buildings and heating, do not tighten above a torque of 30 Nm.**

The advice and assembly instructions above do not conform to any guarantee.
The information is given in general. It states what must not and must be done.
It is provided to ensure the safety of the personnel and the reliability of the valves.
The instructions in bold must be followed.