

STAINLESS STEEL PRESSURE GAUGE WITH DRY DIAL Ø 63



EWC



Size : Diameter 63
Ends : Male BSP
Min Temperature : + 0°C (Ambience -20°C)
Max Temperature : + 100°C (Ambience +60°C)
Pressure : From -1 to 60 Bars
Specifications : All Stainless steel
Stainless steel mechanism
Dry dial (to be fitted in)
Safety glass

Materials : SS 304 box

STAINLESS STEEL PRESSURE GAUGE WITH DRY DIAL Ø 63

SPECIFICATIONS :

- All stainless steel
- Stainless steel mechanism
- Dry dial (to be fitted in)
- Safety glass
- 1,6 class
- Protection IP65
- Bottom connection BSP threaded

USE :

- Not for viscous or crystallizing liquid
- Min and max Temperature Ts : 0°C to +100°C (ambience -20°C à + 60°C)

RANGE :

- All stainless steel pressure gauge with dry dial Ø 63 with bottom BSP 1/4" male connection, range -1/+1 to 0/60 bars **Ref. 1616**
- All stainless steel pressure gauge with dry dial Ø 63 with back BSP 1/4" male connection, range -1/+1 to 0/60 bars **Ref. 1626**

ACCESSORIES :



- Front stainless steel flange with 3 holes at 120° for back connection type **1626**
 - Ø 63 **Ref. 9880110**



- Steel support with screws
 - Ø 63 **Ref. 9880010**



- SS curl PN20 Male / Female BSP
 - DN 1/4" **Ref. 9880207**



- 250 ml glycerine bottle **Ref. 9880401**

STAINLESS STEEL PRESSURE GAUGE WITH DRY DIAL Ø 63
GRADUATIONS :

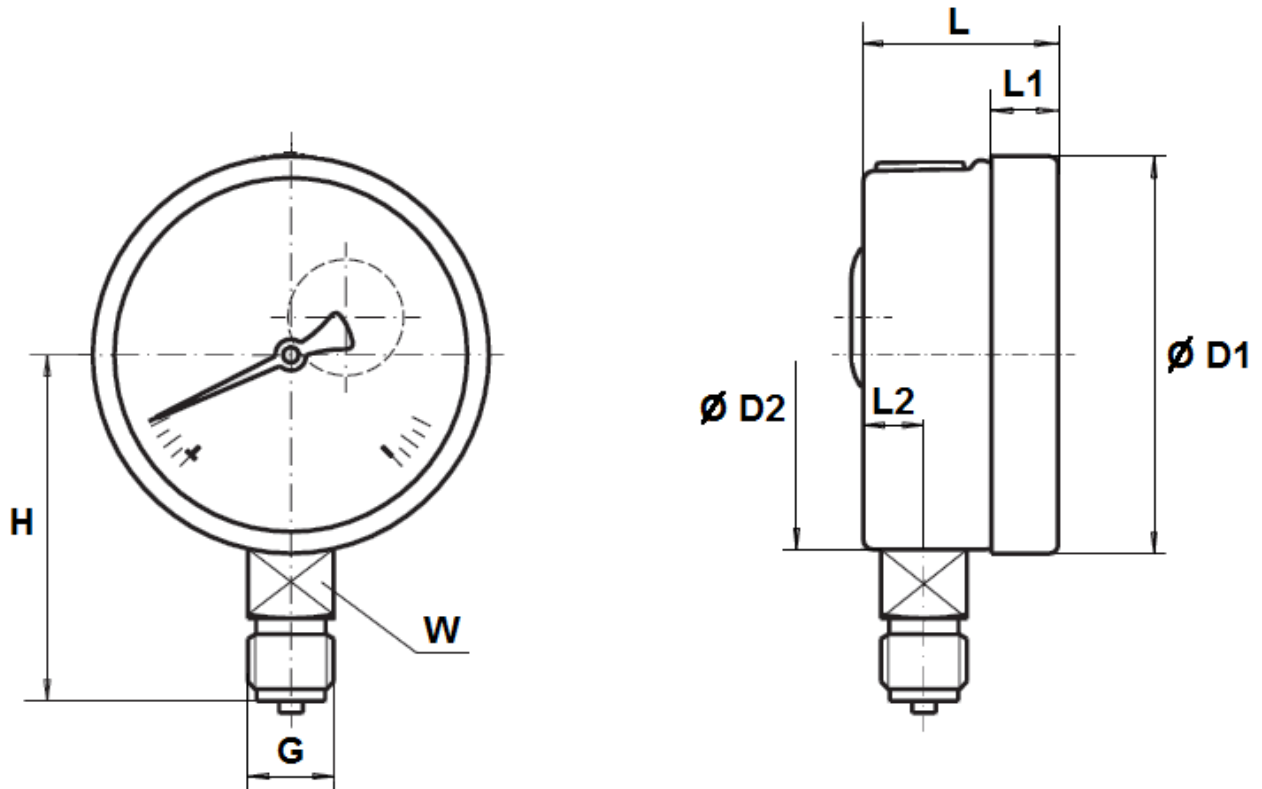
Range (bar)	Graduation (bar)
-1 / +1	0,05
0 / 1,6	0,02
0 / 2,5	0,05
0 / 4	0,1
0 / 6	0,1
0 / 10	0,2
0 / 16	0,2
0 / 25	0,5
0 / 40	1
0 / 60	1

MATERIALS :

DESIGNATION	MATERIALS
Box	SS 304
Fitting	SS 316
Mechanism	SS 316
Dial	Aluminium
Glass	Safety glass
Needle	Aluminium

STAINLESS STEEL PRESSURE GAUGE WITH DRY DIAL Ø 63

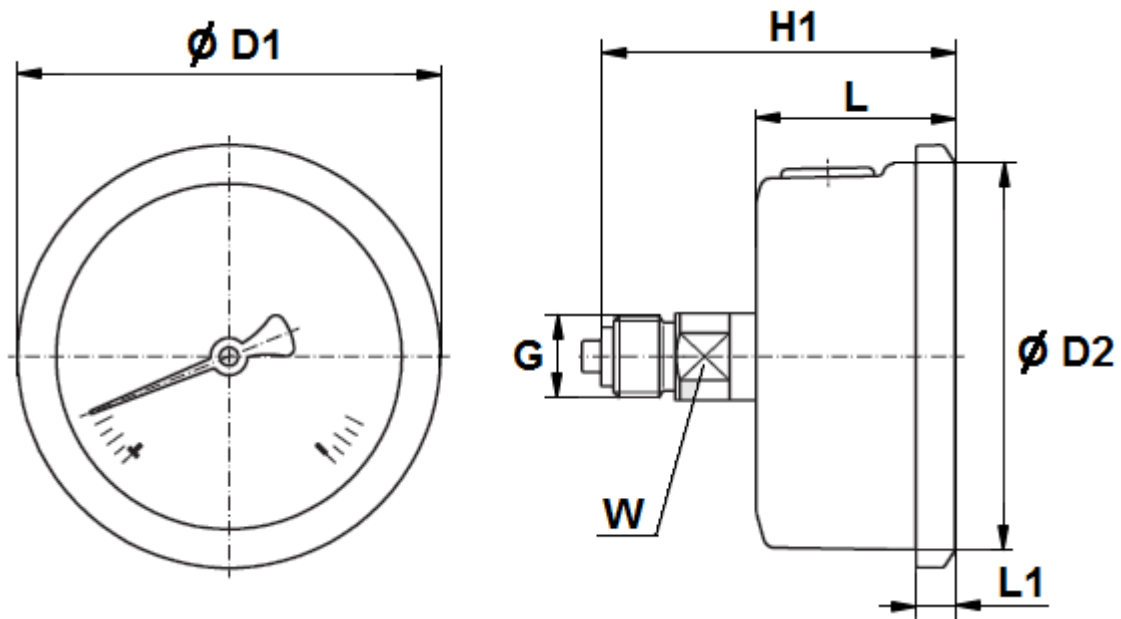
SIZE BOTTOM CONNECTION TYPE REF. 1616 (in mm) :



Ref.	DN	63
1616	Ø D1	68
	Ø D2	62
	H	56
	G	1/4" BSP
	L	32
	L1	6
	L2	10.5
	W	14
	Weight (Kg)	0.146

STAINLESS STEEL PRESSURE GAUGE WITH DRY DIAL Ø 63

SIZE BACK CONNECTION TYPE REF. 1626 (in mm) :



Ref.	DN	63
1626	Ø D1	69
	Ø D2	62.4
	H	55
	G	1/4" BSP
	L	32.2
	L1	6.3
	W	14
	Weight (Kg)	0.15

STAINLESS STEEL PRESSURE GAUGE WITH DRY DIAL Ø 63**STANDARDS :**

- Fabrication according to ISO 9001 : 2008
- Designing according to EN 837-1
- DIRECTIVE 97/23/CE : Products excluded from directive (article 3, § 3)

ADVICE : Our opinion and our advice are not guaranteed and SFERACO shall not be liable for the consequences of damages.
The customer must check the right choice of the products with the real service conditions.