

762-763 VALVE WITH AP PNEUMATIC ACTUATOR

FEATURES

The 762-763+AP ball valve is designed for the automatic opening / closing of pipes with medium pressure, non-loaded industrial fluids. The 762-763 valve is a full-bore split-body valve, EC, ATEX, fire safe-approved. Its size is standardised according to EN 558-1 series 27. The ISO 5211 mounting pad allows the actuator to be directly assembled. The pneumatic motorisation is available in double and spring-return with numerous options.

AVAILABLE MODELS

762: 1.0619 carbon steel body.

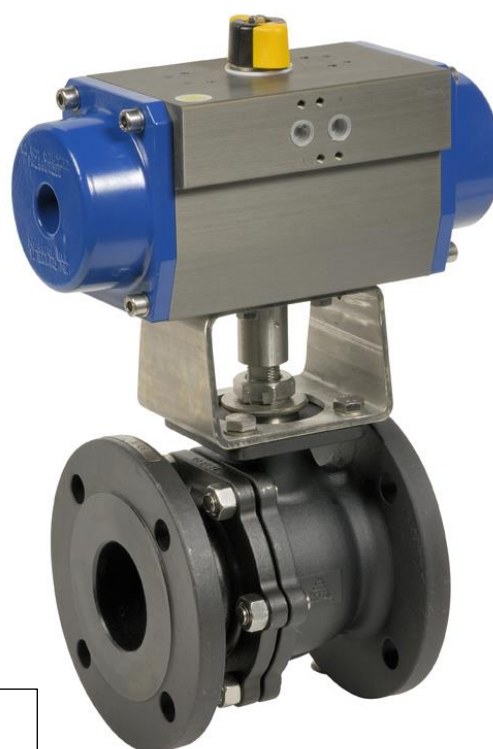
763: 1.4408 SS body

DN 15 to DN 200 diameters.

DN 15 to DN 50: PN16/40 RF flange connections

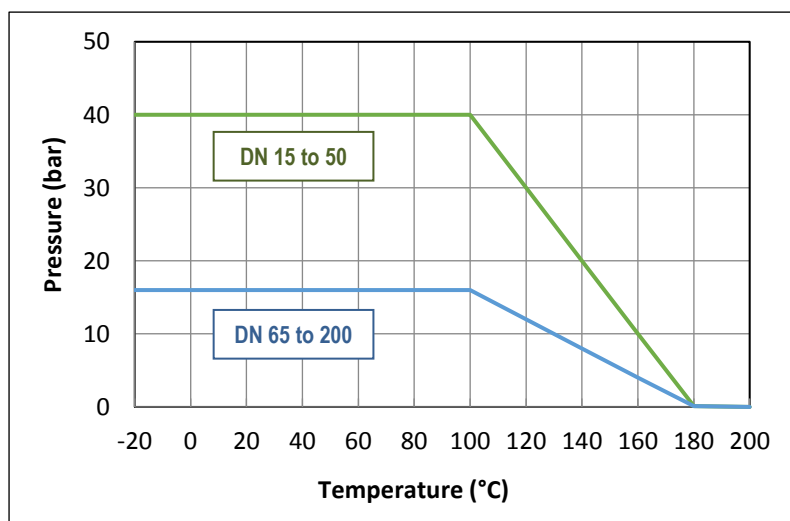
DN 65 to DN 200: PN16 RF flange connections

Double and spring-return actuator.



LIMITS OF USE

Fluid pressure: PS	<u>DN 15 to 50:</u> 40 bar (20°C) <u>DN 65 to 200:</u> 16 bar (20°C)
Fluid temperature: WT°	-20°C / +200°C
Ambient temperature	-20°C / +80°C
Motor compressed air	Mini 6 bar / maxi 10 bar



Information given as an indication only, and subject to possible modifications



SECTORIEL S.A.
45 rue du Ruisseau
38290 SAINT QUENTIN-FALLAVIER – FRANCE
Telephone: +33 4 74 94 90 70 – Fax: +33 4 74 94 13 95
www.sectoriel.fr / Email : sectoriel@sectoriel.fr

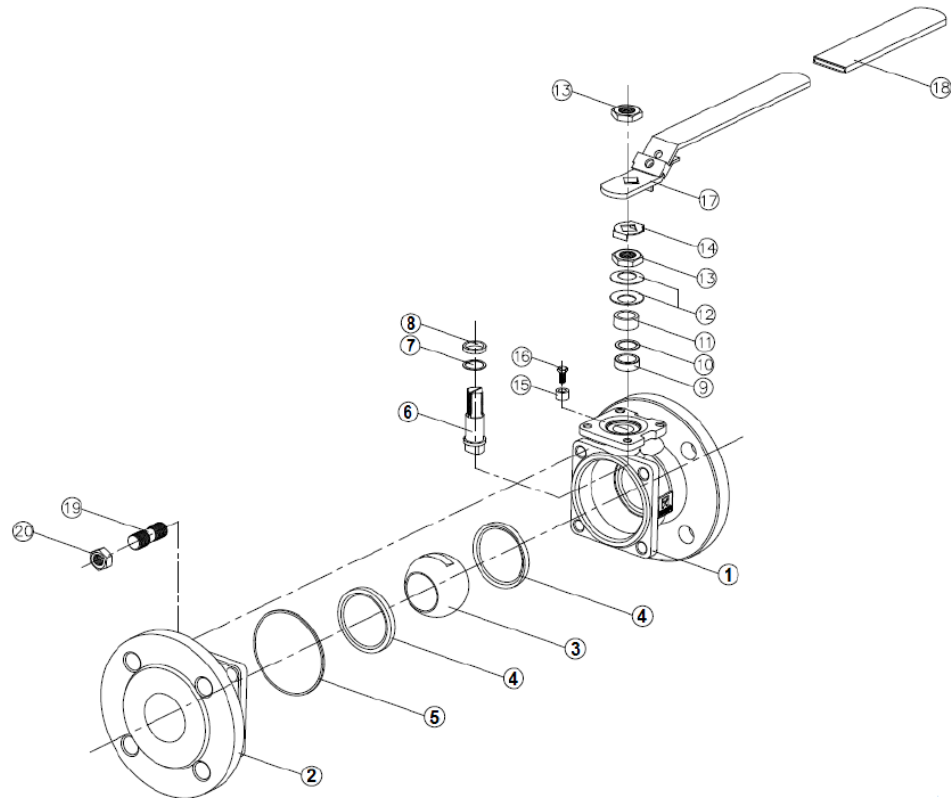
Pages	1/4
Ref.	FT762+AP ENG
Rev.	04
Date	04/2017

762-763 VALVE WITH AP PNEUMATIC ACTUATOR

DIRECTIVES AND MANUFACTURING STANDARDS

OBJECT	Standard	ON	OBJECT	Standard
Pressure Equipment Directive 2014/68/EC	DN 15 and 20: not subject		Final test	EN 12266
	DN 25 to 200: category II	0035	Material certificate	EN 10204
Size	EN 12516-1		Steel grades	EN 1503-1
Flange dimensions	EN 1092-1		Face-to-face dimension	EN 558-1 series 27
Fire safe	API 607		Actuator pilot connection	NAMUR
Connection Motorisation	ISO 5211:		Switch box connection	VDI/VDE 3845
ATEX Directive	II 2G/D Tx zones 1,2,21 and 22		SIL 3 level (the actuator alone)	EN 61508
	EN 13463-1			

CONSTRUCTION



No.	Name	Steel 762	Stainless steel 763	No.	Name	Steel 762	Stainless steel 763
1	Body	1.0619 steel	1.4408 SS	12	Belleville washers	301 SS	
2	Ends	1.0619 steel	1.4408 SS	13	Nut	304 SS	
3	Ball	1.4408 SS		14	Lock washer	304 SS	
4	Seat	Glass loaded PTFE		15	Pointer	304 SS	
5	Body gasket	Graphite		16	Stop screw	304 SS	
6	Stem	ASTM A276 316 SS		17	Handle	304 SS	
7	Ring	Carbon loaded PTFE		18	Sheath	PVC	
8	Ring	Carbon loaded PTFE		19	Stud	304 SS	
9	CG gasket	Graphite		20	Nut	304 SS	
10	CG gasket	Carbon loaded PTFE					

Information given as an indication only, and subject to possible modifications

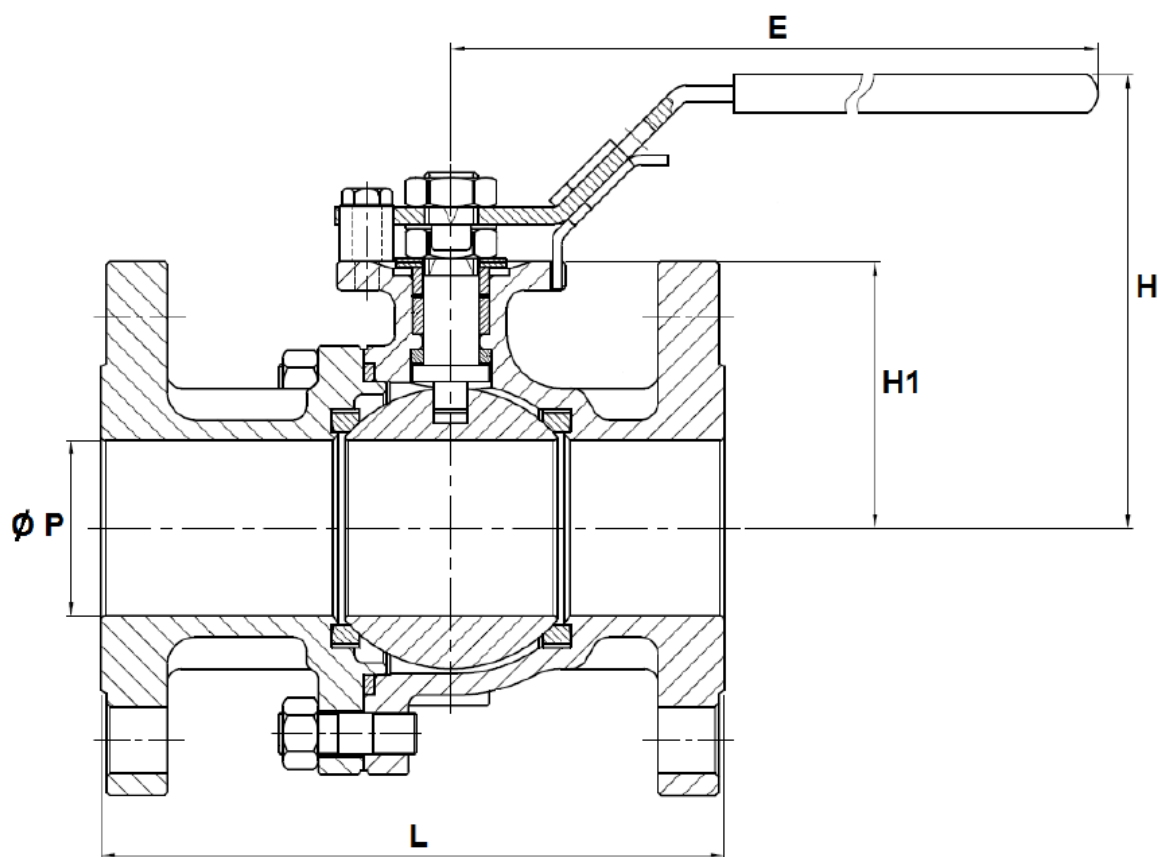


SECTORIEL S.A.
45 rue du Ruisseau
38290 SAINT QUENTIN-FALLAVIER – FRANCE
Telephone: +33 4 74 94 90 70 – Fax: +33 4 74 94 13 95
www.sectoriel.fr / Email : sectoriel@sectoriel.fr

Pages	2/4
Ref.	FT762+AP ENG
Rev.	04
Date	04/2017

762-763 VALVE WITH AP PNEUMATIC ACTUATOR

DIMENSIONS (mm)



DN	15	20	25	32	40	50	65	80	100	125	150	200
Ø P	15	20	24	30	38	50	64	76	98	125	150	200
L	115	120	125	130	140	150	170	180	190	325	350	400
E	158	158	196	196	245	261	400	400	400	743	743	925
H	76.5	78.1	92	96	109.1	115.6	188	194	215	239.6	256.5	323.5
H1	39	42.5	52	56	66	73	86.5	91.5	113.5	147	170	201
Weight (kg)	2.3	3	4	5.5	7	9.3	14.4	17.5	23.3	36.7	52	78

Information given as an indication only, and subject to possible modifications



SECTORIEL S.A.
 45 rue du Ruisseau
 38290 SAINT QUENTIN-FALLAVIER – FRANCE
 Telephone: +33 4 74 94 90 70 – Fax: +33 4 74 94 13 95
www.sectoriel.fr / Email : sectoriel@sectoriel.fr

Pages	3/4
Ref.	FT762+AP ENG
Rev.	04
Date	04/2017

762-763 VALVE WITH AP PNEUMATIC ACTUATOR

AP PNEUMATIC MOTORISATION

The ALPHAIR motorisation proposed as standard comprises:

- rack and pinion actuator of anodised aluminium.
- a safety coefficient of 1.3 minimum compared to the nominal torque of the valve.
- fluid with a temperature of less than 80°C.
- air non-lubricated dry motor, minimum 6 bar pressure.
- an upstream / downstream pressure difference $\Delta P=10$ bar max.

The actuator mount is a yoke + stainless steel driver according to the EN 15081 standard.

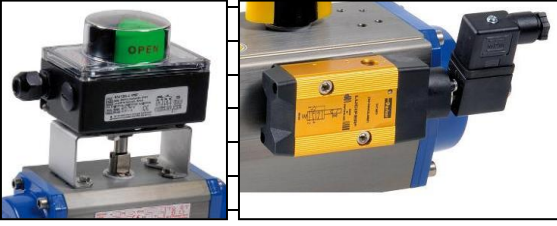
DN	Double-effect	V (litres)	Time (s)*	Spring-return	V (litres)	Time (s)*
15	AP 50	0.23	1	APS 63/6	0.45	1
20	AP 50	0.23	1	APS 75/6	0.61	1
25	AP 50	0.23	1	APS 75/6	0.61	1
32	AP 63	0.45	1	APS 85/6	0.98	2
40	AP 75	0.61	1	APS 100/6	1.80	2
50	AP 75	0.61	1	APS 100/6	1.80	2
65	AP 85	0.98	2	APS 115/6	2.80	2
80	AP 100	1.80	2	APS 125/6	3.70	2
100	AP 115	2.80	2	APS 145/6	4.90	3
125	AP 115	2.80	2	APS 160/6	8.00	3
150	AP 160	8.00	3	APS 200/6	14.2	6
200	AP 180	11.1	3	APS 240/6	19.2	6

For any other operating conditions, please contact us.

*indicative time of the no-load actuator for opening or closing.

MOTORISATION OPTIONS

There are many options, so please contact our sales service for more information on these:

1	actuators dimensioned for a compressed air pressure of 3, 4 or 5 bar	
2	actuator dimensioned for an upstream / downstream pressure difference ΔP greater than 10 bar	
3	actuator with special coatings, stainless steel actuator	
4	Actuator for very low (-60°C) or very high (+150°C) ambient temperatures.	
5	Automatic safety valve with a reinforced safety coefficient and closing time < 1s,	
6	special version for ATEX zones	
7	manual override with declutchable gear box	
8	compressed air filter regulator	
9	All types of piloting solenoid valves	
10	all types of switch boxes	
11	all types of positioner	
12	quick exhaust	
13	flow-rate limiters - exhaust brakes	
14	air lock	

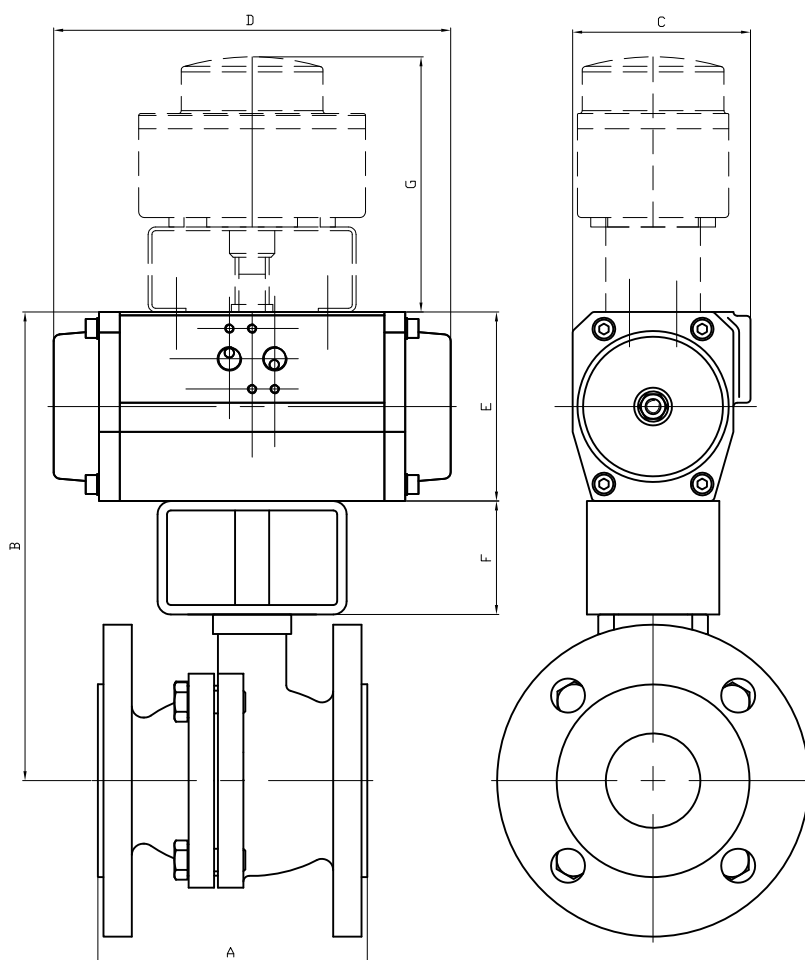
INSTALLATION IN AN ATEX ZONE

For 762-763+AP automatic valves to be installed in ATEX 1, 2, 21 or 22 zones, this has to be specified when ordering. Our services will check of the assembly, the installation of an earthing braid, and will issue an assembly certificate. Our authorised technicians carry out these operations in the workshop. Please contact us.

The special assembly and maintenance instructions for motorised valves in the ATEX zones must be followed.

Information given as an indication only, and subject to possible modifications


	SECTORIEL S.A. 45 rue du Ruisseau 38290 SAINT QUENTIN-FALLAVIER – FRANCE Telephone: +33 4 74 94 90 70 – Fax: +33 4 74 94 13 95 www.sectoriel.fr / Email : sectoriel@sectoriel.fr	Pages	4/4
		Ref.	FT762+AP ENG
		Rev.	04
		Date	04/2017



DN	15		20		25		32		40		50		65		80		100	
ALPHAIR	50 DE	63 SE	50 DE	75 SE	50 DE	75 SE	63 DE	85 SE	75 DE	100 SE	75 DE	100 SE	85 DE	115 SE	100 DE	125 SE	115 DE	145 SE
A	115		120		125		130		140		150		170		180		190	
B	166	182	169.5	202.5	179	212	199	226	226	251	233	258	276.5	308.5	296.5	326.5	335.5	368.5
C	75	86	75	94	75	94	86	104	94	120	94	120	104	134	120	141	134	163
D	138	156	138	210	138	210	156	228	210	281	210	281	228	310	281	362	310	390
E	67	83	67	100	67	100	83	110	100	125	100	125	110	142	125	155	142	175
F	60		60		60		60		60		60		80		80		80	
G	135		135		135		135		135		135		135	145	135	145	145	
KG	3.8	4.51	4.48	6.78	5.52	7.82	7.55	10.78	10.55	14.47	12.85	16.77	19.87	25.94	24.54	32.94	33.74	43.98

DN	125		150		200	
ALPHAIR	115 DE	160 SE	160 DE	200 SE	180 DE	240 SE
A	325		350		400	
B	389	443	466	510	521	599
C	134	176	176	220	196	300
D	310	462	462	575	474	604
E	142	196	196	240	220	298
F	100		100		100	
G	165		165		165	
KG	47.8	63.5	74.36	107.56	111.76	155.66

Informations données à titre indicatif et sous réserve de modifications éventuelles
 data subject to alteration

Ech: /		Date :01/05/2005	Dessiné par : F.G.	Tolérances générales : +/- 0.2	Remotorisation pour HTM	24/10/2012	B
					AP63 ald50 1"1/4 - AP75 ald63 1"1/2	09/09/2005	A
ROBINET A TOURNANT SPHERIQUE 762-763HTM/BALL VALVE 762-763HTM + ACTIONNEUR ALPHAIR 6b/PNEUMATIC ACTUATOR ALPHAIR 6b + BFC/LIMIT SWITCH BOX				Modifications	Date	REV.	
 45, Rue du Ruisseau 38297 SAINT QUENTIN FALLAVIER				Matière :			
				Poids (Kg) :			
				Traitement : SANS			
				Plan n° Ens 614B			



Alpha



PNEUMATIC RACK & PINION ACTUATORS 90° - 120° - 180°

ALUMINIUM



JANUARY 2006

ALPHAIR PNEUMATIC ACTUATORS

90° - I Series

120° - Y Series

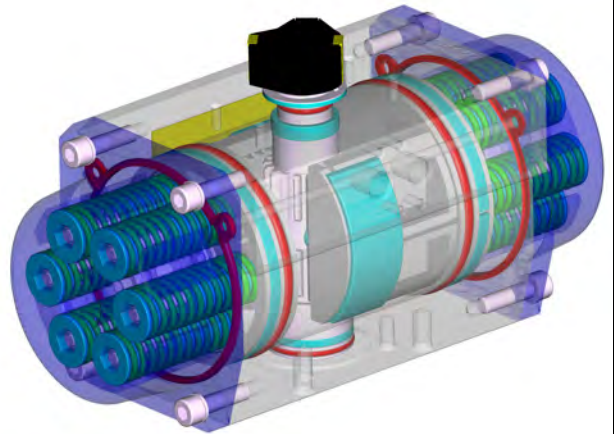
180° - X Series

ALPHAIR pneumatic actuators are made by the best manufacture experience on design, material, machining, assembly.

The internal rotation adjusting system is ever free of side-loads on pistons, shaft and body at every feeding pressure.

HEAVY DUTY, MAXIMUM LIFETIME!

ALPHAIR pneumatic actuators are compact, heavy and reliable. Easy assembly/change on every mean of valve.



STANDARD VERSION FEATURES

- **ASTM 6063 extruded Aluminium Body**, inside surface finish Ra=0,4-0,6. 50 micron Hard Anodizing.
- **ASTM B179 die-casted Aluminium alloy Pistons**, 15 micron Anodizing.
- **ASTM B179 die-casted Aluminium alloy Covers**, painted with 60-80 micron polyester powder.
- **Carbon steel Shaft**, 20 micron nickel-plated. Optional in Stainless Steel AISI 316 (A4).
- Screws in Stainless Steel AISI 304 (A2).
- Seals in nitrile rubber NBR. Optional HIGH Temperature = VITON. Optional LOW Temperature = SILICONE.
- Bearings in low friction acetal resin LAT-LUB, easily replaceable for maintenance. Optional HIGH/LOW Temperature = PA 66.
- Pre-compressed Spring Cartridges, easily replaceable for maintenance, 60-80 micron polyester painted.
- Standard grease: Mollibdenum Bisulphide. Optional: special grease for HIGH/LOW Temperature.
- Several special protections available for chemical, pharmaceutical, food and industrial environments.
- Double lower drilling for valve fastening and centering, according to **ISO 5211-DIN 3337 Standards**.
- Double square lower female shaft key (starlike), according to **ISO 5211-DIN 3337 Standards** for assembly on valves with square key on line (0°) and diagonal key (45°).
- Solenoid connections according to **NAMUR VDI\VDE-3845 Standards**.
- Top drilling for accessories fastening, and upper shaft end according to **NAMUR VDI\VDE-3845 Standards**.
- Position indicator on request, enabling switch-box assembly on top.
- Aluminium adhesive nameplates, with progressive serial number punched.
- Lubrification carried out by the manufacturer, guaranteed for min. 1.000.000 operations.
- Running test and 100% seal test carried out with electronic equipment and certification of each individual product.
- Standard execution for temperatures from -20°C to +80°C (optional, special execution for extreme temperatures).
- According to **ATEX-94-9-CEE Standard** for explosive environment; STANDARD version actuator: II 2GD c Tmax = 95°C.

AIR SUPPLY	TEMPERATURE RANGE	FEEDING PRESSURE	TURNING ROTATION RANGE
Dry or lubricated filtered compressed air.	Standard -20° +80°C (-4 +175°F)	8 bar/120 psi – CONTINUOUS 10 bar/142 psi - MAXIMUM	+/- 5°
	LOW Temperature -40° +80°C (-40 + 175°F) HIGH Temperature -20° +150°C (-4 + 300°F)		

I Series = 90°
Y Series = 120°
X Series = 180°

DOUBLE ACTING TORQUE RATINGS IN Nm

TYPE	AIR SUPPLY IN BAR							
	3	4	5	6	7	8	9	10
AP 032	-	5,0	6,3	7,6	8,8	10,0	11,4	12,6
AP 042	6,5	8,7	10,9	13,0	15,2	17,3	19,5	21,7
AP 050	9,2	12,3	15,4	18,5	21,5	24,6	27,7	30,8
AP 063	16,5	22,0	27,5	33,0	38,5	44,0	49,5	55,0
AP 075	35,1	46,8	58,5	70,2	81,9	93,6	105,3	117,0
AP 085	53,4	71,2	89,0	106,9	124,7	142,4	160,3	178,1
AP 100	83,2	110,9	138,6	166,4	194,1	221,8	249,5	277,3
AP 115	137,2	183,0	228,7	274,5	320,2	366,0	411,7	457,5
AP 125	180,5	240,7	300,9	361,1	421,2	481,4	541,6	601,8

I Series = 90°

AP 145	260,1	346,8	433,5	520,2	606,9	693,6	780,3	867,0
AP 160	355,0	473,4	591,7	710,1	828,4	946,8	1065,1	1183,5
AP 180	479,0	638,6	798,3	958,0	1118,6	1277,3	1437,0	1597,6
AP 200	665,6	887,5	1109,4	1333,3	1553,1	1775,0	1996,9	2218,8
AP 240	1117,6	1490,2	1862,7	2235,3	2607,8	2980,4	3352,9	3725,4
AP 270	1617,6	2156,8	2696,0	3235,2	3774,4	4313,6	4852,8	5392,0
AP 330	2929,5	3906,0	4882,4	5858,9	6835,4	7811,9	8788,4	9764,9

SINGLE ACTING TORQUE RATINGS IN Nm

I Series = 90°

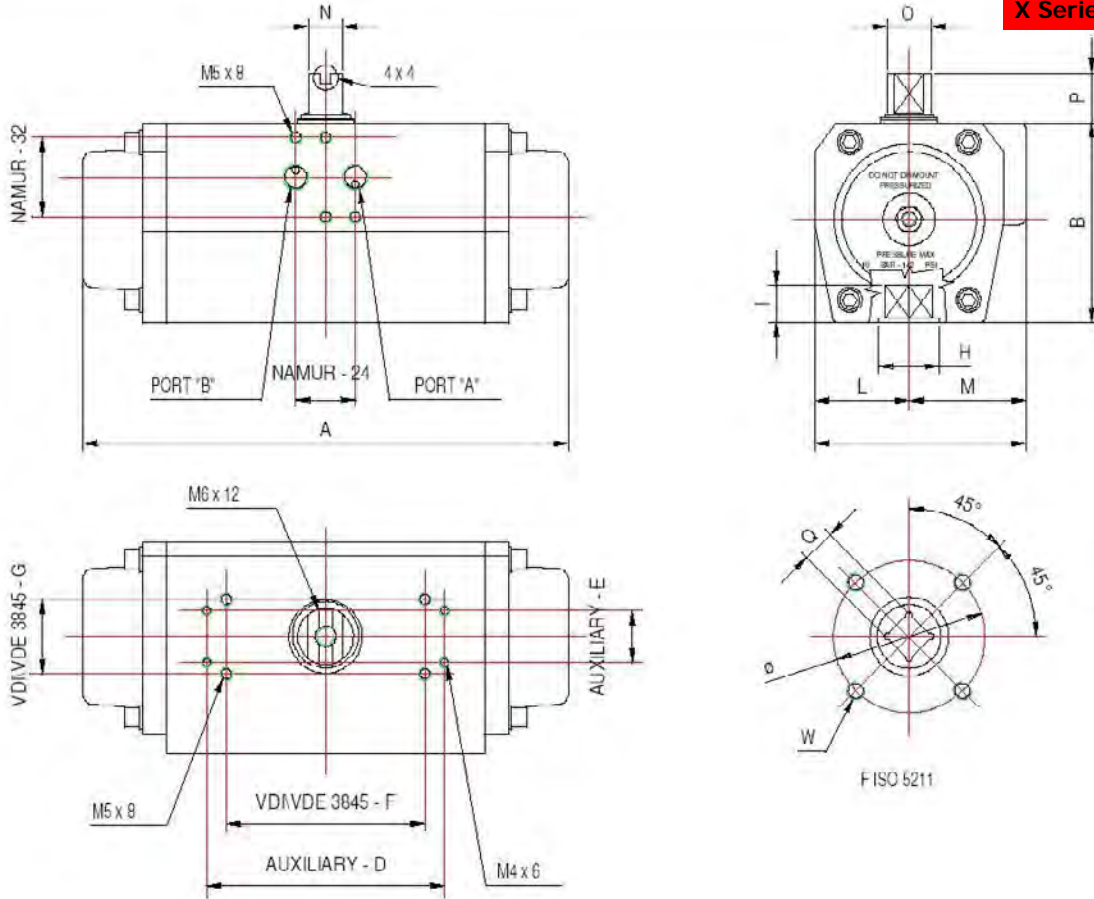
TYPE	N° OF SPRINGS PER SIDE OF PISTON	AIR SUPPLY IN BAR										SPRING STROKE			
		3		4		5		6		7		8		90°	0°
		0°	90°	0°	90°	0°	90°	0°	90°	0°	90°	0°	90°		
AP 042	3	-	-	-	-	7,1	4,1	9,3	6,3	11,5	8,5	13,7	10,7	6,8	3,8
	4	-	-	-	-	-	-	8,1	4,1	10,2	6,2	12,4	8,4	9,0	5,0
AP 050	3	5,7	3,5	8,9	6,6	12,0	9,6	15,1	12,7	18,1	15,7	21,2	18,8	5,7	3,5
	4	-	-	7,7	4,7	10,8	7,7	13,9	10,8	16,9	13,8	20,0	16,9	7,7	4,7
	5	-	-	-	-	9,6	5,8	12,7	8,9	15,7	11,9	18,8	15,0	9,6	5,8
	6	-	-	-	-	8,4	3,9	11,5	7,0	14,5	10,0	17,6	13,1	11,5	7,0
AP 063	3	9,4	6,3	14,9	11,7	20,4	17,2	25,9	22,7	31,4	28,2	36,9	33,7	10,2	7,2
	4	-	-	12,3	8,3	17,8	13,8	23,3	19,3	28,8	24,8	34,3	30,3	13,7	9,7
	5	-	-	-	-	15,4	10,4	20,9	15,9	26,4	21,4	31,9	26,9	17,1	12,1
	6	-	-	-	-	13,0	7,0	18,5	12,5	24,0	18,0	29,5	23,5	20,5	14,5
AP 075	3	22,5	12,6	34,2	24,4	46,0	36,1	57,7	47,8	69,4	59,5	81,1	71,2	22,5	12,6
	4	-	-	30,0	16,9	41,8	28,6	53,5	40,3	65,2	52,0	76,9	63,7	30,0	16,9
	5	-	-	-	-	37,6	21,1	49,3	32,8	61,0	44,5	72,7	56,2	37,6	21,1
	6	-	-	-	-	33,4	13,6	45,1	25,3	56,8	37,0	68,5	48,7	45,1	25,3
AP 085	3	34,5	18,9	52,4	36,7	70,2	54,5	88,0	72,3	105,8	90,1	123,6	107,9	34,5	18,9
	4	-	-	46,1	25,2	63,9	43,0	81,7	60,8	99,5	78,6	117,3	96,4	46,1	25,2
	5	-	-	-	-	57,6	31,5	75,4	49,3	93,2	67,1	111,0	84,9	57,6	31,5
	6	-	-	-	-	51,5	20,0	69,1	37,8	86,9	55,6	104,7	73,4	69,1	37,8
AP 100	3	53,2	30,0	80,9	57,7	108,7	85,4	136,4	113,1	164,1	140,8	191,8	168,5	53,2	30,0
	4	-	-	70,9	40,0	98,7	67,7	126,4	95,4	154,1	123,1	181,8	150,8	70,9	40,0
	5	-	-	-	-	88,7	50,0	116,4	77,7	144,1	105,4	171,8	133,1	88,7	50,0
	6	-	-	-	-	78,7	32,2	106,4	60,0	134,1	87,7	161,8	115,4	106,4	60,0
AP 115	3	84,3	53,0	130,0	98,8	175,8	144,5	221,6	190,3	267,3	236,0	313,0	281,7	84,3	53,0
	4	-	-	112,3	70,7	158,1	116,4	203,9	162,2	249,6	207,9	295,3	253,6	112,3	70,7
	5	-	-	-	-	140,4	88,3	186,2	134,1	231,9	179,8	277,6	225,5	140,4	88,3
	6	-	-	-	-	122,7	60,2	168,5	106,0	214,2	151,7	259,9	197,4	168,5	106,0
AP 125	3	116,8	63,7	177,0	123,9	237,3	184,1	297,5	244,2	357,6	304,3	417,7	364,4	116,8	63,7
	4	-	-	155,7	85,0	216,0	145,2	276,2	205,3	336,3	265,4	396,4	325,5	155,7	85,0
	5	-	-	-	-	194,7	106,3	254,9	166,4	315,0	226,5	375,1	286,6	194,7	106,3
	6	-	-	-	-	173,4	67,4	233,6	127,5	293,7	187,6	353,8	247,7	233,6	127,5
AP 145	3	158,0	92,0	245,0	179,0	332,0	265,0	418,0	352,0	505,0	439,0	592,0	526,0	158,0	102,0
	4	-	-	211,0	123,0	298,0	210,0	384,0	269,0	471,0	383,0	558,0	470,0	224,0	136,0
	5	-	-	-	-	264,0	154,0	350,0	240,0	437,0	327,0	524,0	414,0	280,0	170,0
	6	-	-	-	-	230,0	98,0	316,0	184,0	403,0	271,0	490,0	358,0	336,0	204,0
AP 160	3	222,4	132,6	340,7	251,0	459,1	369,3	577,4	487,6	695,7	605,9	814,0	724,2	222,4	132,6
	4	-	-	296,5	176,9	414,9	295,2	533,2	413,5	651,5	531,8	769,8	650,1	296,5	176,9
	5	-	-	-	-	370,7	221,1	489,0	339,4	607,3	457,7	725,6	576,0	370,7	221,1
	6	-	-	-	-	326,5	147,0	444,8	265,3	563,1	383,6	681,4	501,9	444,8	265,3
AP 180	3	287,9	191,0	447,6	350,7	607,3	510,4	766,9	670,0	926,6	829,7	1068,0	989,1	287,9	191,0
	4	-	-	383,9	254,7	543,6	414,4	703,3	574,0	862,9	733,7	1022,3	893,1	383,9	254,7
	5	-	-	-	-	479,9	318,4	639,6	478,1	792,2	637,7	958,6	797,1	479,9	318,4
	6	-	-	-	-	416,2	222,4	575,9	382,1	735,6	541,8	894,9	701,1	575,9	382,1
AP 200	3	423,6	242,0	644,7	463,8	867,4	685,8	1089,0	907,7	1311,0	1130,0	1533,0	1351,0	423,6	242,0
	4	-	-	564,8	322,6	786,7	544,6	1008,0	766,5	1230,0	988,4	1452,0	1209,0	564,8	322,6
	5	-	-	-	-	706,0	403,4	927,9	625,3	1150,0	847,2	1372,0	1068,0	706,0	403,4
	6	-	-	-	-	625,3	262,2	847,2	484,1	1069,0	706,0	1291,0	927,0	847,2	484,1
AP 240	3	664,0	453,6	1036,6	826,2	1409,1	1198,7	1781,7	1571,2	2154,2	1943,8	2526,8	2316,3	664,0	453,6
	4	-	-	885,4	604,8	1257,9	977,4	1630,5	1349,9	2003,0	1722,5	2375,6	2095,0	885,4	604,8
	5	-	-	-	-	1106,7	756,0	1479,3	1128,6	1851,8	1501,1	2224,4	1873,7	1106,7	756,0
	6	-	-	-	-	955,5	534,7	1328,1	907,2	1700,6	1279,8	2073,2	1652,3	1328,1	907,2
AP 270	3	912,5	705,1	1451,7	1244,3	1990,9	1783,5	2530,1	2322,7	3069,3	2861,9	3608,5	3401,1	912,5	705,1
	4	-	-	1216,7	940,2	1755,9	1479,4	2295,1	2018,6	2834,3	2557,8	3373,5	3097,0	1216,6	940,1
	5	-	-	-	-	1520,9	1175,5	2060,1	1714,4	2599,3	2144,4	3138,5	2792,8	1520,8	1175,1
	6	-	-	-	-	1285,8	871,0	1825,0	1410,2	2364,2	1953,6	2903,4	2488,6	1825,0	1410,2
AP 330	3	1739,5	1193,5	2717,2	2171,1	3694,8	3148,8	4672,5	4126,4	5650,1	5104,1	6627,8	6081,8	1739,5	1193,5
	4	-	-	2319,3	1591,3	3297,0	2569,0	4274,6	3546,6	5252,3	4524,3	6230,0	5501,9	2319,3	1591,3
	5	-	-	-	-	2899,2	1989,1	3876,8	2966,8	4854,5	3944,4	5832,1	4922,1	2899,2	1989,1
	6	-	-	-	-	2501,3	1409,3	3479,0	2386,9	4456,7	3364,6	5434,3	4342,3	3479,0	2386,9

Torque output available from air supply

Torque output available from springs

0° = closed pistons, extended springs
 90° = open pistons, compressed springs

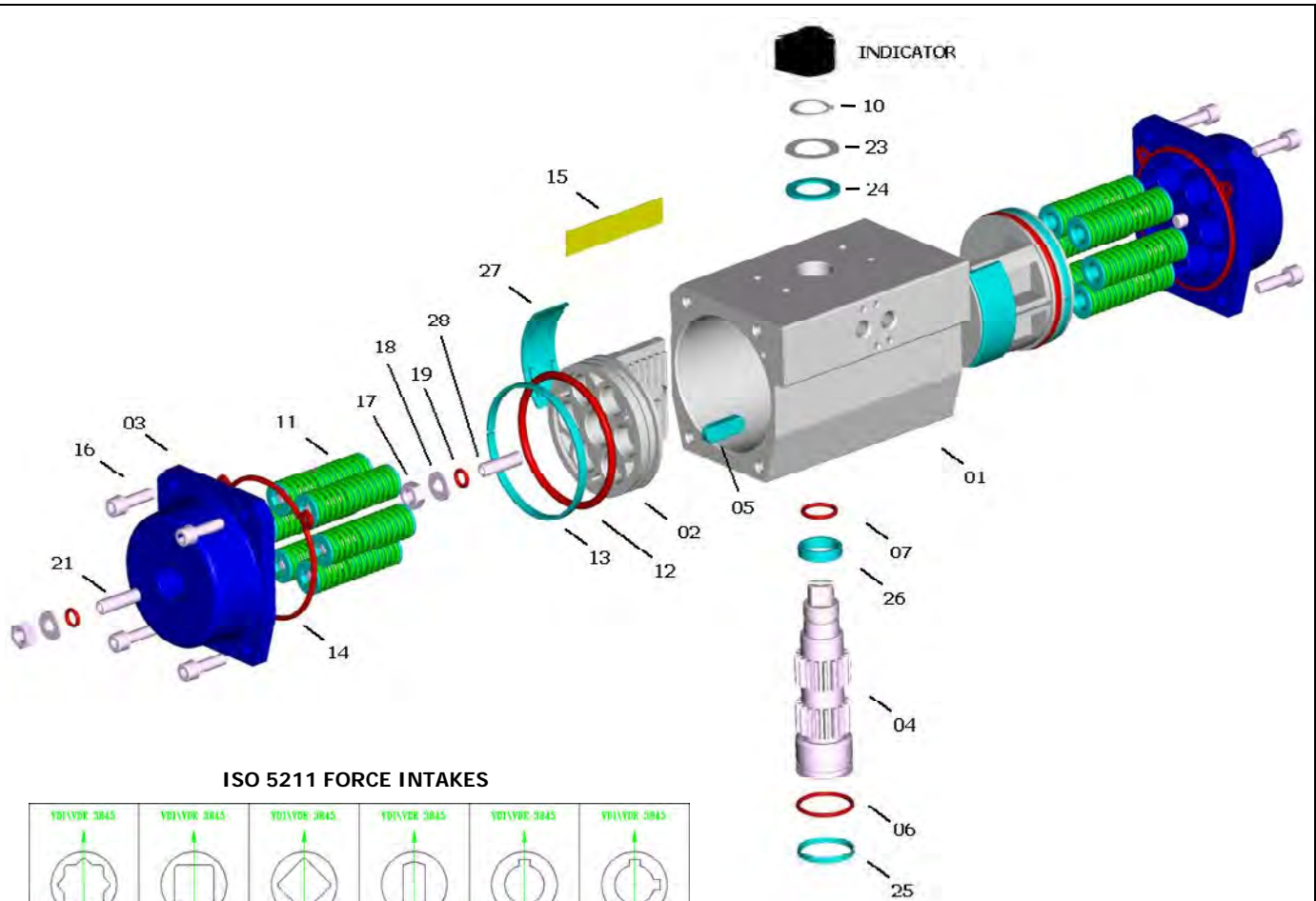
 = air supply/springs balanced torques



**Standard feeding connection 1/2" GAS – NPT for AP 240, 270, 330
Special NAMUR plate on request**

POSITION	TYPE																
	AP032	AP042	AP050	AP063	AP075	AP085	AP100	AP115	AP125	AP145	AP160	AP180	AP200	AP240	AP270	AP330	
A-90°	117	160	138	155,5	210	228	280,5	310	362	390	462	474	575	604	685	850	
A-120°	150	194	172	201	249	282	332	373	432	-	-	-	-	-	-	-	
A-180°	195	230	211	220	298	338	401	462	570	-	-	-	-	-	-	-	
B	45	57	67	83	100	110	125	142	155	175	196	220	240	298	332	414	
C	48	60,5	75	86	94	104	120	134	141	163	176	196	220	300	352	400	
AUXILIARY D x E	-			105 x 22				139 x 22					-				
VDI/VDE 3845 F x G	50 x 25		80 x 30					130 x 30									
L	22,5	27	33,5	38	42,5	49	55	63,5	69,5	80	88	98	110	150	166	190	
M	25,5	33,5	41,5	48	51,5	55	65	70,5	71,5	83						210	
Port A Port B DIN 259	1/8" GAS - NPT			1/4" GAS - NPT								1/2" GAS - NPT					
N x O	8 x 12			14 x 18				27 x 36				32 x 42		32 x 60		55 x 80	
P	20						30				50						
Q x I	9 x 10	9 x 10 11 x 13	9 x 10 11 x 13	9 x 10 11 x 13 14 x 16	11 x 13 14 x 16 17 x 20	14 x 16 17 x 20	17 x 20 22 x 25	17 x 20 22 x 25	17 x 20 22 x 25 27 x 30	22 x 25 27 x 30	22 x 25 27 x 30	27 x 30 36 x 39	27 x 30 36 x 39	36 x 39 46 x 50	36 x 39 46 x 50	46 x 50 55 x 60	
F ISO 5211	F03 F04	F04 F03/05	F03 F04 F03/05 F05	F04 F03/05 F05 F05/07	F04 F05/07	F05/07	F07/10 F5/7/10	F07/10	F07/10 F12	F10/12	F10/12	F10/12 F14	F10/12 F14	F14 F16	F14 F16	F16 F25	

POSITION	F ISO 5211											
	F03	F04	F03/05	F05	F05/07	F5/7/10	F07/10	F10/12	F12	F14	F16	F25
Ø (W)	36 (M5x8)	42 (M5x8)	36 (M5x8) 50 (M6x9)	50 (M6x9)	50 (M6x9) 70 (M8x12)	50 (M6x9) 70 (M8x12) 102 (M10x15)	70 (M8x12) 102 (M10x15)	102 (M10x15) 125 (M12x18)	125 (M12x18)	140 (M16x24)	165 (M20x30)	254 (M16x24)
H	25 excluded AP 032	30	25	35	35 (AP085=40)	40	55	AP145 = 70 AP160 = 75 AP180 = 85 AP200 = 85	75	100 (AP270=104)	130	200







PART	QUANTITY	DESCRIPTION	MATERIAL	SPECIFICATION	PROTECTION
1	1	Body	Extruded aluminium alloy	ASTM 6063 T6	A - N - TF
2	2	Piston	Aluminium alloy	ASTM B179 - DIN1725/5	A
3	2	Cover	Aluminium alloy	ASTM B179 - DIN1725/5	N - V - TF
4	1	Shaft	Carbon steel optional S.S. AISI 316 (A4)	ASTM A105 optional S.S. AISI 316 (A4)	N
5 *	2	Antiejection key	Acetalic resin – PA66 – PA66		
6 *	1	Lower shaft O-Ring	NBR - Viton - Silicone		
7 *	1	Upper shaft O-Ring	NBR - Viton - Silicone		
10 *	1	Seeger ring	Carbon steel		N
11	0-12	Spring cartridge	Carbon steel, PA 66, S.S.	C-98	V
12 *	2	Piston O-Ring	NBR - Viton - Silicone		
13 *	2	Piston head bearing	Acetalic resin – PA66 – PA66		
14 *	2	Cover gasket	NBR - Viton - Silicone		
15	1	Nameplate	Aluminium		
16	8-16	Cover fastening screw	Stainless Steel	AISI 304 (A2)	
17	4	Nut	Stainless Steel	AISI 304 (A2)	
18	4	Washer	Stainless Steel	AISI 304 (A2)	
19 *	4	O-Ring	NBR - Viton - Silicone		
21	2	Cover dowel	Stainless Steel	AISI 304 (A2)	
23 *	1	Shaft thrust washer	Stainless Steel	AISI 304 (A2)	
24 *	1	Antifriction washer	Acetalic resin – PA66 – PA66		
25 *	1	Lower shaft pilot ring	Acetalic resin – PA66 – PA66		
26 *	1	Upper shaft pilot ring	Acetalic resin – PA66 – PA66		
27 *	2-4	Piston bearing	Acetalic resin – PA66 – PA66		
28	2	Piston dowel	Stainless Steel	AISI 304 (A2)	

* Standard NBR spare parts set - Special HIGH Temperatures VITON - Special LOW Temperatures SILICONE

Protection

A = Anodizing N = chemical Nickel-plating V = Painting TF = Anodizing+PTFE

COATINGS – MATERIAL TREATMENTS

	AV	DESCRIPTION				APPLICATION FIELD
		Body	Covers	Pistons	Shaft	
	standard	Hard Anodizing	Polyester painting	Anodizing	High phosphorous nickel-plating (12%) <i>opt. AISI 316 (A4)</i>	- Industry, general use.
	Colour	Dark gray	Several available	Brown	Polished steel	
	Thickness	50 µ	60/80 µ	15 µ	20 µ	
	NV	DESCRIPTION				APPLICATION FIELD
		Body	Covers	Pistons	Shaft	
		High phosphorous nickel-plating (12%)	Polyester painting	Anodizing	High phosphorous nickel-plating (12%) <i>opt. AISI 316 (A4)</i>	- Industry, general use. - Caustic soda. - Detergents. - Low alkaline solutions.
	Colour	Polished steel	Several available	Brown	Polished steel	
	Thickness	20 µ	60/80 µ	15 µ	20 µ	
	NN	DESCRIPTION				APPLICATION FIELD
		Body	Covers	Pistons	Shaft	
		High phosphorous nickel-plating (12%)	High phosphorous nickel-plating (12%)	Anodizing	High phosphorous nickel-plating (12%) <i>opt. AISI 316 (A4)</i>	- Industry, general use. - Caustic soda. - Detergents. - Low alkaline solutions.
	Colour	Polished steel	Polished steel	Brown	Polished steel	
	Thickness	20 µ	20 µ	15 µ	20 µ	
	TF TF	DESCRIPTION				APPLICATION FIELD
		Body	Covers	Pistons	Shaft	
		Hard Anodizing + PTFE coating	Anodizing + PTFE coating	Anodizing	High phosphorous nickel-plating (12%) <i>opt. AISI 316 (A4)</i>	- Industry, general use. - Low alkaline and low acid solutions. - Marine environments. - High temperatures.
	Colour	Blue	Blue	Brown	Polished steel	
	Thickness	Anodizing 50 µ PTFE 15 µ	Anodizing 50 µ PTFE 15 µ	15 µ	20 µ	

HARD ANODIZING

Anodizing is an electrolytic process that produces anodic coating on aluminum, called alumine, with high thickness. Alumine is one of the most hard known materials, with resistance values up to 400-600 HV (45-65 HRC); properties and features of Hard Anodizing (alumine thickness 50 micron) are well know and appreciated both for mechanical and chemical resistance.

- **Best friction and corrosion resistance, best surface hardness, good thermic and electrical insulation.**

ELECTROLESS NICKEL-PLATING

Chemical nickel-plating is an electroless coating process that gives nickel layers at extremely constant thickness also on sharp angles, blind-holes, threads and grooves recess. During the process, nickel is combined with phosphor at a percentage of 12% (high-phospor). The obtained surface hardness is about 400-480 HV (45-55 HRC).

- **Best friction and corrosion resistance, best surface hardness, best external appearance similar to S.S., increased resistance to alcali and detergents in sanitary and food applications.**

POLYESTER PAINTING

Polyester painting is obtained through powder coatings on polarized parts, by means of light differences in electrical potentials. After applications, parts are baked in order to polymerize and let the painting be spread to avoid micro-porosity. The best elasticity can be obtained at 60/80 micron thickness; a satisfactory adhesion can be assured by sandblasting or brushing, and by special degreasing baths of the rough pieces to be treated.

- **Better corrosion resistance, protection against crashes, better external appearance and several available colours, resistance to chemicals.**

HARD ANODIZING + PTFE COATING

As further improvement of the hard anodizing on aluminium alloys, protective coating made of PTFE is used, known for its particular chemical and physical features. On these double treated surfaces, oxide hardness and low roughness (internal slipping parts) is summed to the chemical resistance and the excellent qualities as a thermic barrier of PTFE (external surfaces, subjected to corrosion).

- **Best corrosion resistance, protection against high temperatures, crashes, extreme resistance to chemicals and in marine environment.**

AISI 316 (A4) STAINLESS STEEL SHAFT (OPTIONAL)

AISI 316 (A4) Stainless Steel shaft, with its great corrosion resistance, is recommended for special applications such as: marine and chemical environments, food and pharmaceutical industry, high temperature applications.



Via Molino Emili, 16 - 25030 MACLODIO (BS) Italy - Tel. +39 030 97 86 61/2 - Fax +39 030 97 86 63
www.alphair.it - www.alphapompe.it

